



Kentucky High School Athletic Association – Track & Field Site Inspection

Anderson County High School – Lawrenceburg, Kentucky
 Site Inspection Requested by Julian Tackett – Assistant Commissioner of KHSAA
 Site Inspected by Gordon D. Bocock - #4848 – KHSAA Track & Field Consultant

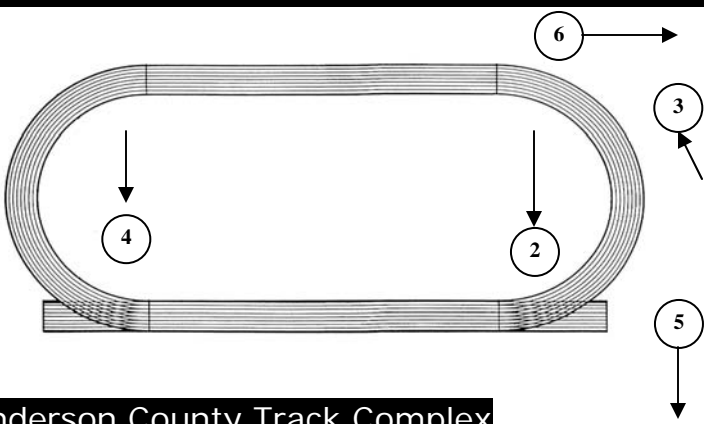
Date of Inspection: Monday, March 13, 2006

Venue # 1 Running Track

<p style="text-align: center;">Lanes (Number and Size) General overall condition and concerns with the running track</p>	<p>The Anderson County High School Track and Field Complex is located behind the high school just past the football and baseball fields. The rubberized track is 400 Meters and has eight 42" lanes. The running surface is in good condition with some spots that need a little attention in regard to patching. It is recommended that the company that put down the rubberized surface be contacted and that a repair or patch kit be obtained and the necessary minor repairs be done now and as needed in the future. The stripping on the track appears to be correct but is starting to fade in some areas. At this time the running track is in very good condition and is more than suitable for hosting track and field competition. A few safety issues will be pointed out in particular areas of this inspection report.</p>
<p style="text-align: center;">Starting Lines (Staggers)</p>	<p>The starting lines on the Anderson County Track have the proper color markings for all the starting lines. The 100 Meter and 110 Meter starting areas are in good condition and not showing signs of wear. The 200 and 300 Meter Starts are both in good condition.</p> <p>1 – Turn Stagger Green Lines 2 – Turn Stagger White Lines 3 – Turn Stagger Blue Lines 4 – Turn Stagger Red Lines</p> <p>Distance races One waterfall starting line is on the track and is properly marked. There is no step up line painted on the track and no alley starts are marked on the track. It is recommended that when the time comes for re-stripping the track that the step up line and alley starts be put in place.</p>
<p style="text-align: center;">Relay Exchange Zone Markings</p>	<p>The 4 x 100 Meter Relay is marked with the starting lines being the white lines (2 turn stagger) and the exchange zones being yellow to yellow in all three zones. The fly zones are also marked in yellow.</p> <p>The 4 x 200 Meter Relay is marked with the starting lines being the red lines (4 turn stagger) and the exchange zones being red to red at the first and second zone and yellow to yellow on the third exchange. It is pointed out that the red zones are becoming very faint, especially on the backstretch of the track. It is recommended that someone be contacted to make the red exchange zones easier to see for the athletes.</p> <p>The 4 X 400 Meter Relay is marked with the starting lines being the blue lines (3 turn stagger) and the exchange zones being green to green staggers on the first handoff and then blue to blue for the second and third handoff.</p> <p>The 4 X 800 Meter Relay is marked and the start can use either a waterfall start, a one turn stagger or a two turn stagger. All the handoffs are blue to blue.</p>
<p style="text-align: center;">Break Lines</p>	<p>A green broken line is located at the head of the backstretch when a 1 turn stagger is desired for the distance races or for the 3 turn stagger on the 4 x 400 Meter Relay. It is noted that a green broken break line is also in place near the start of the 100 Meter Dash if a 2 turn stagger is desired in the 800 Meter Dash or the 4 X 800 Meter Relay.</p>
<p style="text-align: center;">Hurdles Color Markings Overall condition of hurdles</p>	<p>The 100 Meter High Hurdles – Yellow Markings The 110 Meter High Hurdles – Blue Markings The 300 Meter Hurdles – Red Markings (It is pointed out that many of the red hurdle marks are just about gone and it is highly recommended that some attention be given to this or they will be completely gone making it impossible to sit the hurdles in the right place. The hurdles appear to be in good condition and a sufficient number is available to properly run a track meet.</p>
<p style="text-align: center;">Starting Blocks (Number & Condition)</p>	<p>The starting blocks were observed in the track storage building and they appeared to be in good condition. It is noted that the spikes in the blocks need to be replaced yearly so that they will continue to hold to the track surface during starting activity.</p>

Block Cart	The starting blocks were stored in a grocery cart. Remember to check the condition of the grocery cart and oil the wheels from time to time to keep it in proper working order.
Starting Line Safety	There is no particular area for spectators so concerns will always be present for where spectators are at this facility. Efforts will have to be taken by Meet Management and Meet Officials to keep non participants off the running track and away from the starting lines.
Finish Line Safety	The same concerns are present for the finish area as there is no designated area for spectators to gather. Another concern that could well be a safety issues is the drop off to the left of the running track and the drain just past the finish area where runners normally step off the track after finishing a race or after completing a hand off. <u>This has been discussed with the Athletic Director and the Coach as an issue that they need to look at.</u>
Surrounding area (This could include bleachers, fencing, trees, limbs, etc.)	There are no bleachers available at track complex and crowd control may well be a problem that will have to be addressed with a meet of any size. The only fence is the one around the property or the ones that separate the baseball field and the softball fields. It is a sit up that would allow admission to be charged to get into the complex. At the present time there is no concerns with trees or tree limbs. The only concern is the large drop off on the inside of the track especially around the drain areas.

Location of Field Events



Venue #2. Pole Vault is located inside the oval in the first curve at the start and finish line area with the runway coming from the backstretch near the start of the 300 Hurdles.

Venue #3. High Jump is located about 100 meters from the head of the backstretch outside the oval in the area that leads to the track complex.

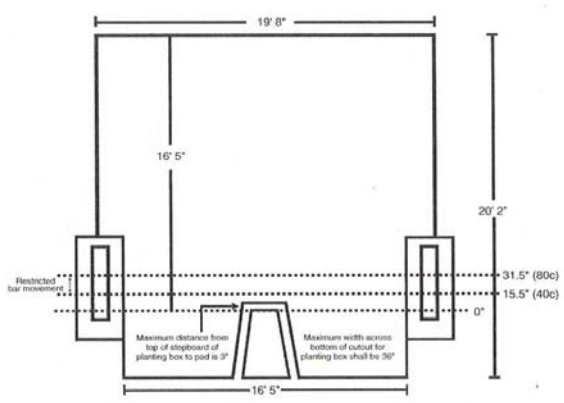
Venue #4. Long and Triple jump is located inside the oval near the start of the 100 Meter Dash with the runway coming from the backstretch near the start of the 200 Meter Dash.

Venue #5. Shot Put is located about 50 meter from the start finish line outside the oval behind the softball field.

Venue #6. Discus at the present time there is no discus area. A site has been recommended on the football field.

Anderson County Track Complex

Venue #2 Pole Vault



. Pole Vault Landing Pad

Width of Pole Vault Pad: 16'

Depth of Pole Vault Pad: 22'

Depth from the back of box: _____

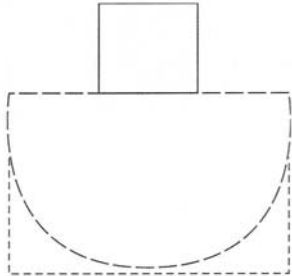
Common Cover: Yes

Weather Cover: Yes

Comments: **Pit does not meet the National Federation Safety Standards.**

<p>New PV Landing Pad 19'8" wide 20'2" deep 16'5" back of box</p> <p>Exposed surfaces</p>	<p>The current pole vault landing pad is 16' x 22' and therefore it does not meet the National Federation requirement for safety. It is highly recommended that this pit be removed from the track and field venue and not be used for either practice or competition.</p> <p>The area that is to hold the landing pad is black top and very small. It is doubtful that any hard and unyielding surfaces would be exposed once a legal landing pad is put in place. Rule 7-5-9: Hard or unyielding surfaces, such as but not limited to concrete, metal, wood or asphalt around the landing pad, or between the planting box and the landing system, shall be padded or</p>
---	---

	cushioned with a minimum of 2 inches of dense foam or suitable material.
Vaulting Box	The vaulting box is in very good condition and properly placed level in the ground. Zero point is not marked at the top of the vaulting box. A box collar was seen in the track storage building.
Zero Point Markings	It is highly recommended that the zero point be painted on the ground at the top of the back of the vaulting box and that the mark extend 10' on each side of the box so that the zero point on the standards and the box are one in the same.
Runway 130'0"	The runway is 150' in length and is 5'6" wide and is in very good condition. It has a rubber surface and would be an excellent runway if the school had a legal vaulting pad. It is noted that the runway needs to have the Bermuda grass that is growing over the edges sprayed, edged and removed before it becomes a problem.
Standards / Crossbars 13'8" – 14'8" Bar – 14'10"	Brand new standards were observed in the Track Storage Building. The pad under the landing pad is black top and when the standard bases are mounted and secured to the ground they will work there way loose in no time. It is highly recommended that once the new landing pads are obtained and the proper location of the standards are determined that concrete areas be placed directly under the standard bases so they can be properly mounted and secured to the ground. New cross bars were observed in the track storage building.
Weigh in Athletes	It is pointed out that the host school is responsible to provide scales for the KHSAA Meet Official to weigh all the vaulters before each competition. It is highly recommended that each coach weigh his or her vaulters weekly to assure that they are legal for the vaulting poles that they are using.
Coaching Box	The area outside of the running oval next to the rock wall would be an excellent location for a pole vault coaches box.
Area surrounding the Pole Vault Venue	The landing pad area for the pole vault is located in the worst possible position as it will greatly interfere with the view of the starters on all the oval races. The soccer field is located inside the oval of the track complex and the field has a large crown and there is no room to place the runway and landing pad on the side lines. The pole vault runway is located in the only area that could handle this venue but the landing area needs to be on the other end of the runway.
Pole Vault Venue (General Notes)	The Pole Vault venue is located inside the oval with the landing pad just past the common finish line for all running races. The location of the vaulting landing pad would be much better if switched to the other end of the runway as it's current location will see the competition stopped by the starter several times so they can view the start of the oval races. If and when a landing pad is obtained that meets the safety specifications of the National Federation, consideration should be given to moving the pad to the other end of the runway. Concrete pads will have to be added to secure the standards regardless which end of the runway the pit is located. Moving the pad would really assist with Meet Management and make for a safer venue. The potential is there to have a tremendous pole vaulting venue.

Venue # 3 High Jump	
	<p>High Jump Pad and Apron</p> <p>Width of High Jump Pad: 16'8"</p> <p>Depth of the High Jump Pad: 8'</p> <p>Common Cover: Yes</p> <p>Weather Cover: Yes</p> <p>Apron Length: 100'</p> <p>Apron Width: 50'</p>
HJ Landing Pad 16' x 8' Exposed Surfaces	The High Jump Landing Pad is 16' x 8' and it has been properly put together with a common cover that pulls the pads together for a safe landing area. The pads were protected with a weather cover. Rule 7-4-4: Hard and unyielding surfaces, such as but not limited to concrete, wood or asphalt, that extend out from beneath the sides and back of the high jump landing pad shall be padded with a minimum of 2-inch dense form or other suitable material.
HJ Apron	The High Jump apron (take off area) is a half moon that is 100' across the apron on the pit side and extends 50' out in front of the pit. It has a very good rubber surface.

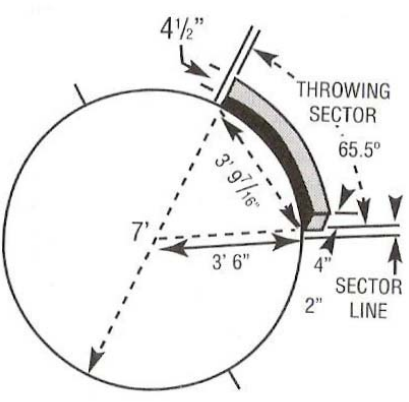
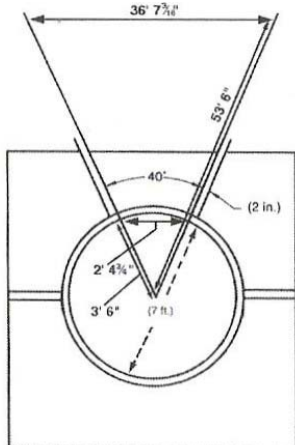
Standards / Crossbar 12' apart bar is 12' to 14'10"	The brand new high jump standards were observed in the track storage building. A new cross bar was observed. A few older bars were observed in the rafters of the storage building.
Area surrounding the HJ Venue	The area around the High Jump Venue is not useable for any other activity in the track meet.
High Jump Venue (General Notes)	The High Jump Venue is located just off the gravel path that leads to the Track and Field Complex. It is located between the Softball Field and the Football Field. The gravel path has a drop off of approximately 8' that slopes down to the High Jump Apron. Athletes and spectators can sit safely on the hill side (on dry days) while the High Jump Competition is underway. Spectators for the HJ competition could stay on the gravel path but they should not be allowed on the HJ Apron. The venue is a distance from the running track and communication may be needed to notify high jump athletes involved in other events when said events are coming up - will depend on the degree that the Track and Field Public Address System can be heard at the High Jump Venue.

Venue # 4 Long and Triple Jump

<p style="text-align: center;">Take-off Board: 8" min. — 24" max. x 4' long (at least)</p>	<p style="text-align: center; background-color: black; color: white; margin: 0;">. . . . Long and Triple Jump Pits</p> <p>Number of Sand Pits: One</p> <p>Length of Pit: #1 - 26' #2 _____</p> <p>Width of Pit: #1 - 9" #2 _____</p> <p>Length of Runway: #1 - 150' x 6" #2 _____</p> <p>LJ Take off Marks: #1 - 8' and 12'</p> <p>TJ Take off Marks: #1 - 28' and 32'</p>
--	---

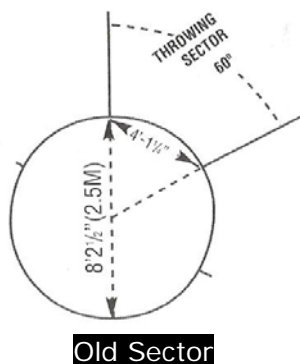
Landing Pit Take Off Marks LJ - (8' and 12') TJ - (28' and 32") And the Runway (if more than one pit describe each)	The Long Jump and Triple Jump pit is 26' X 9' and it has concrete edges. The take off marks have the basic 8' and 12' for the Long Jump and 28' and 32' for the Triple Jump. You could tell that several other marks had been added on occasion for middle school meets, etc. The runway is a very good rubber surface It is recommended that all the take off marks be re-painted as they are starting to show the signs of wear..
Sand Pit Condition	It is difficult to tell if the sand pit has the proper amount of sand as it has yet to be prepared for the season. The current condition has the sand packed very tight and we do not recommend that practice be held at this venue until the pit has been properly prepared. Several areas of the pit have things growing and lots of dead grassy material. The pit need to be tilled completely and raked clean then leveled. When the pit is properly prepared the sand level should be level with the concrete edges. Rakes, brooms and shovels need to become a part of the daily equipment at this venue.
Area around the Long/Triple Jump Pit(s)	To the left of the runway and pit is the school's soccer field and to the right is a large drainage area that will not permit any activity to take place. This area needs to be marshaled during competition to assure that athletes and spectators do not gather.
Long and Triple Jump Venue (General Notes)	The Long/Triple Jump venue is located inside the oval with the sand pit near the start of the 100 Meter Dash and the runway beginning near the start of the 200 Meter Dash. It will be a very good facility once it has been properly prepared. The sand pit itself has to be prepared for the safe landing of high flying athlete. Once the pit has been prepared and raked clean and level then you will be able to determine if sand needs to be added to make the sand level with the concrete edges. The runway must be edged and the Bermuda grass sprayed and then removed as it will take over the runway if it is left unattended. The concrete edges around the sand pit must be edged and the Bermuda grass sprayed and then removed. These edges must be clear for the athletes to know where they are so they can be avoided.

Venue #5 Shot Put

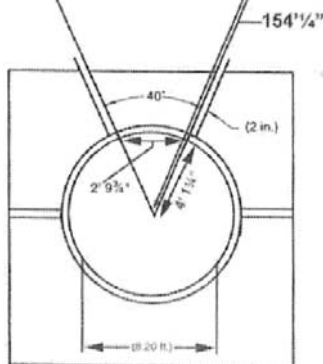
 <p style="text-align: center;">Old Sector</p>	 <p style="text-align: center;">40 Degree Sector</p>	<p style="text-align: center;">New Sector</p> <p style="text-align: center; font-size: 1.2em;">34.92</p> <p>From the center of the 7-foot Shot Put circle, measure one of the outer boundary lines 20 meters and make a Mark #1 on the sector line.</p> <p>Measure 12 meters (.6 of the 20 Meter boundary line) from Mark #1 toward the other boundary line and make Mark #2.</p> <p>From the center of the Shot Put circle, measure 20 Meters out the 2nd boundary line and align this 20 Meter measurement with Mark #2 and the center of the circle and you will have your 34.92 sector.</p>
--	--	--

Circle – Concrete Pad	The concrete pad is 10' x 10' and at the present time the circle is not in place. A metal ring was observed in the track storage building along with a new toe board. If the metal ring and toe board can not be attached together on the concrete slab it is recommended that a 2" painted circle (white) be painted on the slab 7' in diameter and then the toe board be attached firmly to the slab. It is recommended that the concrete slab outside the 7' circle be painted with the school colors and that these colors be used to indicate the front and back half of the circle.
Sector and Cage	The sector lines were not in place but the coach did say that he planned to use the new 34.92 degree sector since that is what will be used in the Region/State this year. The way the shot put landing sector is laid out with the area sloped for drainage on each side, it is doubtful that the 60 or 40 degree sector would fit properly. This particular area was being considered for both the Shot and Discus but due to meet management problems and limited distance for long throws the area was highly recommended to be used for only a shot put venue. A cage was already in place, since the discus was considered, and it is recommended that the cage remain as it would assure some safety issues for the throwers and the officials in the event. Since there are shot put cage size recommendation at this time it is fine like it is for the throwers and officials to be behind the chain length fencing while a competition is in the circle.
Weight in of Implements	It is pointed out that the host school is responsible to provide scales for the KHSAA Meet Official to weigh all the throwing implements before each competition. It is highly recommended that each coach weigh his or her athletes implements weekly to assure that they are legal and that no alterations have been made to the implements.
Surrounding Area	The area around the shot put venue is a very safe area for throwing the shot put. The only possible problem could be when spectators might gather to see these athletes perform. It is recommended that a set of portable bleachers be sit behind the cage and that this area be marked for these spectators. It would assure that no one would be in the sector area except officials.
Shot Put Venue (General Notes)	The Shot Put Venue is located outside the oval in a field behind the left/center field fence of the softball field. It is above the track and is a very safe throwing area for the shot put to take place. Work needs to take place on the circle to get it prepared for meet competition. When finally finished this will be an excellent throwing area.

Venue #6 Discus Throw



Old Sector



40 Degree Sector

New Sector **34.92**

From the center of the 8 foot 2 1/2" circle, measure one of the outer boundary lines 60 meters and make a Mark #1 on the sector line.
 Measure 26 meters (.6 of the 60 Meter boundary line) from Mark #1 toward the other boundary line and make Mark #2.
 From the center of the Discus circle, measure 60 Meters out the 2nd boundary line and align this 60 Meter measurement with Mark #2 and the center of the circle and you will have your 34.92 sector.

Circle – Concrete Pad	None See General Notes Below.
Sector and Cage	None See General Notes Below.
Weight in of Implements	It is pointed out that the host school is responsible to provide scales for the KHSAA Meet Official to weigh all the throwing implements before each competition. It is highly recommended that each coach weigh his or her athletes implements weekly to assure that they are legal and that no alterations have been made to the implements.
Surrounding Area	None See General Notes Below.
Discus Venue (General Notes)	At the present time there is not a Discus Venue at the Anderson County Track and Field Complex. It is recommended that one be placed in the fenced in area that contains the schools' football field. There is ample room at a sufficient distance behind the goal posts on the track end of the field that would allow for a circle and pad to be permanently placed that would not interfere with football. A portable discus cage could be put in place that would meet the National Federation Safety requirements and it could be taken down and stored during the football season. This recommendation has been discussed with the Athletic Director and the Track and Field Coach. The Discus Venue would need to be checked again after it is completed and put in place to determine if the safety issues have been meet for practice and competition.

Meet Management

Seating and Spectator Control	At this time there was nothing in place to show any form of crown control for track and field meets. All the running events as well as the field events could present a problem for a meet of any size (like the Regional Meet). A number of portable bleachers were observed around the various athletic venues on the campus that could well be used. A plan needs to be put in place to help avoid potential problems with crown control if the school has desires to host a Regional Track and Field championship.
Public Address and Press Box	The Baseball Field is directly behind the backstretch of the Track and Field Complex and the press box and public address is available for use with Track and Field Meets.
Meet Management in regard to Running Events	At this spite inspection no meets was observed. Officials at future meets at this facility would judge the meet management skills in regard to running events.
Meet Management in regard to Field Events	At this spite inspection no meets was observed. Officials at future meets at this facility would judge the meet management skills in regard to field events.

<p>Regional Meet Site</p> <p>In your opinion would you recommend this facility to be considered as a Regional Track and Field Meet Site?</p>	<p>At this time the school is not ready to host a KHSAA Regional Track and Field Meet. Throughout this report some issues are pointed out that need to be addressed. Anderson County High School is well on it's way to being able to host a Regional Track and Field Meet. On the running track some stripping concerns will have to be addressed. Field events above discuss some concerns that may well need to be addressed before the school could be considered for a Regional Track and Field Meet.</p> <p>The Meet Officials at future home meets will be better able to address any Meet Management concerns that may me present.</p>
---	--

Respectively submitted,

Gordon D. Bocock

Gordon D. Bocock, #4848
KHSAA Track and Field Consultant